



High-end Power Semiconductor Manufacturer

ZP630A 2000-2800V Standard Rectifier Diode

- High power cycling capability
- Low on-state and switching losses
- Optimized for line frequency rectifiers
- Designed for traction and industrial applications



Average forward current		I_{FAV}		630 A	
Repetitive peak reverse voltage		V_{RRM}		2000 – 2800 V	
V_{RRM} , V	2000	2200	2400	2600	2800
Voltage code	20	22	24	26	28
T_j , °C	-60 – 175				

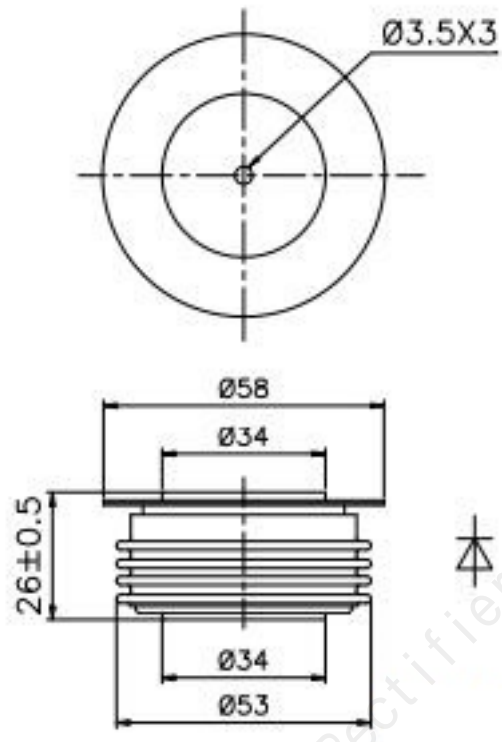
MAXIMUM ALLOWABLE RATINGS

Symbols and parameters		Units	Values	Test conditions	
ON-STATE					
I_{FAV}	Average forward current	A	630	$T_c=100$ °C; Double side cooled; 180° half-sine wave; 50 Hz	
I_{FRMS}	RMS forward current	A	989	$T_c=133$ °C; Double side cooled; 180° half-sine wave; 50 Hz	
I_{FSM}	Surge forward current	kA	12.0	$T_j=T_{j\max}$ $T_j=25$ °C	180° half-sine wave; 50 Hz ($t_p=10$ ms); single pulse; $V_R=0$ V;
			14.0		
	Safety factor	$A^2s \cdot 10^3$	720	$T_j=T_{j\max}$ $T_j=25$ °C	180° half-sine wave; 60 Hz ($t_p=8.3$ ms); single pulse; $V_R=0$ V;
			980		
	Safety factor	$A^2s \cdot 10^3$	700	$T_j=T_{j\max}$ $T_j=25$ °C	180° half-sine wave; 60 Hz ($t_p=8.3$ ms); single pulse; $V_R=0$ V;
			930		
BLOCKING					
V_{RRM}	Repetitive peak reverse voltages	V	2000–2800	$T_{j\min} < T_j < T_{j\max}$; 180° half-sine wave; 50 Hz;	
V_{RSM}	Non-repetitive peak reverse voltages	V	2100–2900	$T_{j\min} < T_j < T_{j\max}$; 180° half-sine wave; 50 Hz; single pulse;	
V_R	Reverse continuous voltages	V	$0.75 \cdot V_{RRM}$	$T_j=T_{j\max}$;	
THERMAL					
T_{stg}	Storage temperature	°C	-60–175		
T_j	Operating junction temperature	°C	-60–175		
MECHANICAL					
F	Mounting force	kN	9.0–11.0		
a	Acceleration	m/s^2	50	Device unclamped	
			100	Device clamped	

CHARACTERISTICS

Symbols and parameters		Units	Values	Conditions	
ON-STATE					
V_{FM}	Peak forward voltage, max	V	1.61	$T_j=25\text{ }^\circ\text{C}; I_{FM}=1978\text{ A}$	
$V_{F(TO)}$	Forward threshold voltage, max	V	1.11	$T_j=T_{j\text{ max}}$	
r_T	Forward slope resistance, max	m Ω	0.360	$0.5\pi I_{FAV} < I_T < 1.5\pi I_{FAV}$	
BLOCKING					
I_{RRM}	Repetitive peak reverse current, max	mA	50	$T_j=T_{j\text{ max}};$ $V_R=V_{RRM}$	
THERMAL					
R_{thjc}	Thermal resistance, junction to case, max	$^\circ\text{C/W}$	0.040	Direct current	Double side cooled
R_{thjc-A}			0.088		Anode side cooled
R_{thjc-K}			0.072		Cathode side cooled
R_{thck}	Thermal resistance, case to heatsink, max	$^\circ\text{C/W}$	0.008	Direct current	
MECHANICAL					
w	Weight, typ	g	180		
D_s	Surface creepage distance	mm (inch)	23.69 (0.933)		
D_a	Air strike distance	mm (inch)	19.10 (0.752)		

OVERALL DIMENSIONS



ZT40

Beijing Xinchuang Chunshu Rectifier Co., Ltd

All dimensions in millimeters