



GENERATOR RECTIFIER BRIDGE MODULE

发电机整流桥模块

High-end Power Semiconductor Manufacturer

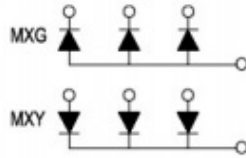
Features

- Non-insulation
- Baseplate communal electrode
- International standard packing
- Excellent temperature feature
- High $I_{FSM}(I_{TSM})$ ■ Low $V_{TM}(V_{TM})$

Applications

- Power Generator
- Auto Generator

Part number type & circuit



Ordering information Table

Device Code **M X G 100 - 04**

① ② ③ ④ ⑤

- 1 -Power Module
- 2 -X=Generator bridge rectifier
- 3 -Circuit form:G=3-phase common positive pote
Y=3-phase common negative pole
- 4 -Current Code= $I_{F(AV)}$
- 5 -Voltage code=Code $\times V_{RRM}$



MXG25, MXG30
MXY25, MXY30



MXG40, MXG50
MXY40, MXY50



MXG40B, MXG50B
MXY40B, MXY50B



MXG70, MXG80
MXY70, MXY80



MXG100, MXG120
MXY100, MXY120

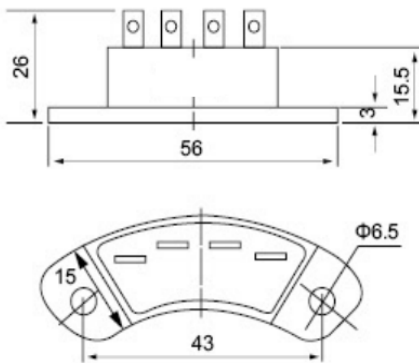


MXG120B, MXG150
MXY120B, MXY150

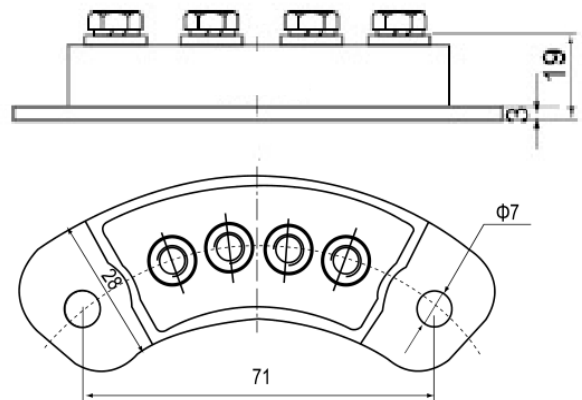
Generator bridge rectifier series 发电机整流桥系列

type	$I_O(AV)$	I_{FSM}	V_{FM}	V_{ISO}	V_{RRM}	I_{RRM}	R_{jc}	a_r (biggest centrifugal capacity)
	A	A	V	V	V	mA	$^{\circ}C/W$	g
MXG(Y)25	25	250	1.1	2500	100 - 1600	10	1.5	2000
MXG(Y)30	30	300	1.1	2500	100 - 1600	10	1.5	2000
MXG(Y)40	40	470	1.1	2500	100 - 1600	10	1.5	2000
MXG(Y)50	50	750	1.1	2500	100 - 1600	10	1.5	2000
MXG(Y)70	70	1000	1.1	2500	100 - 1600	10	0.80	2000
MXG(Y)80	80	1000	1.1	2500	100 - 1600	10	0.80	2000
MXG(Y)100	100	1820	1.1	2500	100 - 1600	10	0.80	2000
MXG(Y)120	120	1820	1.1	2500	100 - 1600	10	1.5	2000
MXG(Y)150	150	2000	1.1	2500	100 - 1600	10	1.5	2000

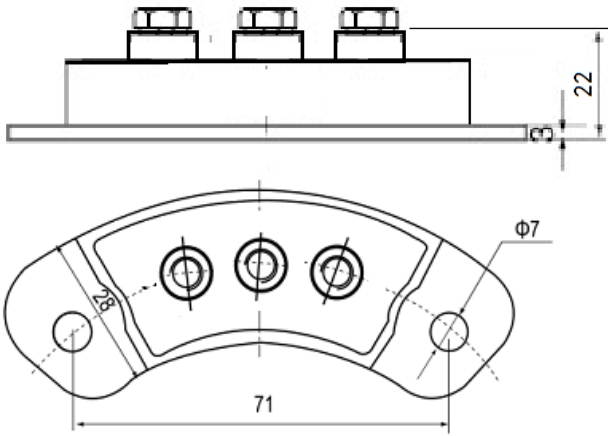
M24



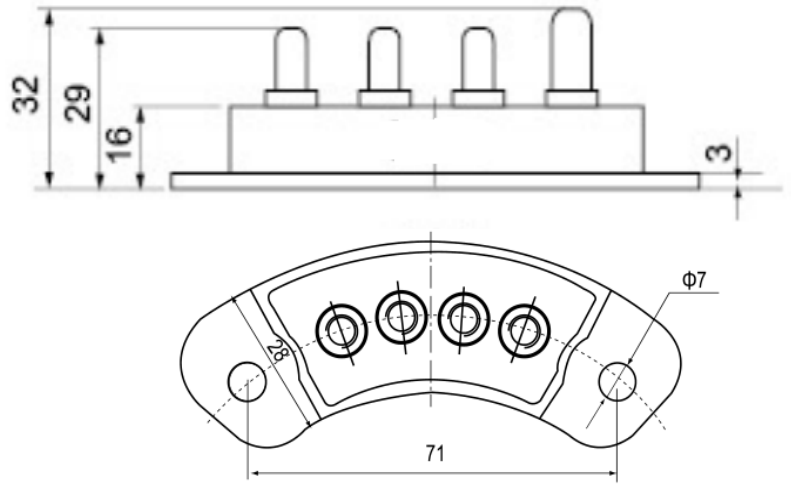
25-30A



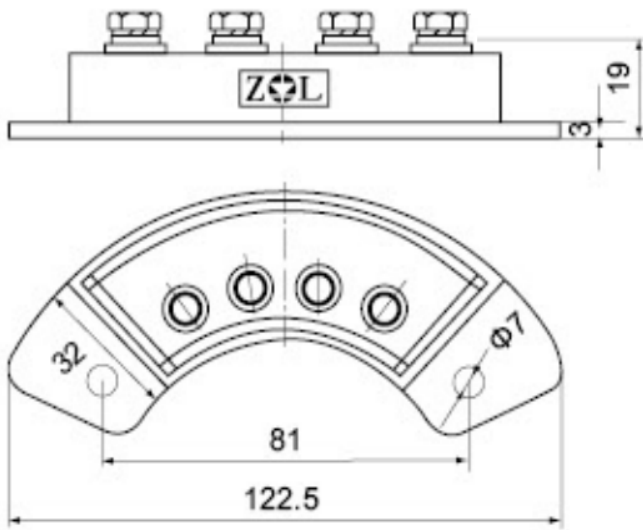
40-70A standard



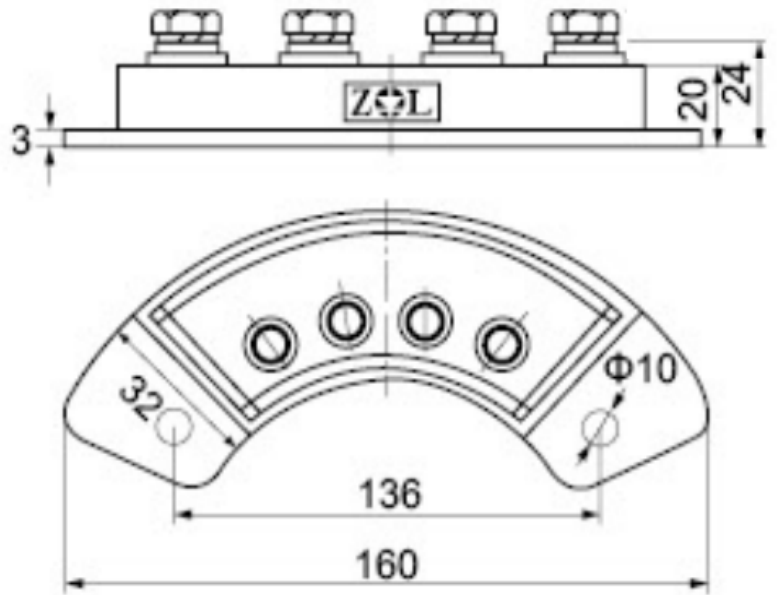
40-70A 3 stud



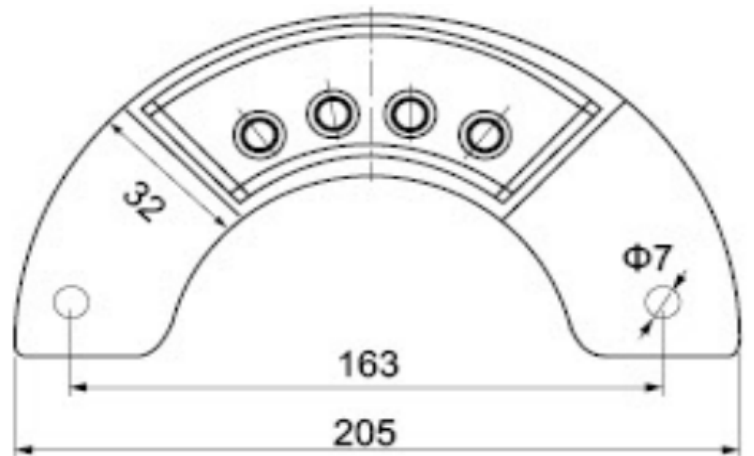
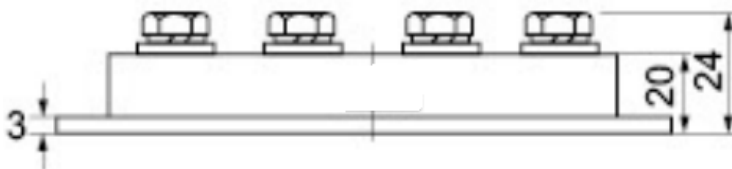
40-70A top screw



70-80A



100-120A



120-150A